

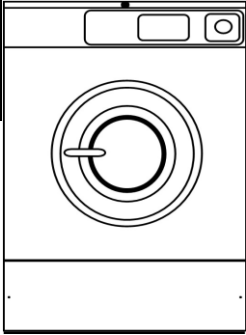
AWE-100 ATHLETIC LAUNDRY SYSTEMS

100 POUND CAPACITY
HARDMOUNT WASHER-EXTRACTOR

1-800-327-4782

3611 E. Croft Circle
Spartanburg, SC 29302

www.athleticls.com



WORKLOAD:

- 150 TOWELS
- 100 FOOTBALL JERSEYS
- 75 FOOTBALL PANTS

Control	Athletic 400	
Capacity	100 lbs. Dry Weight	
Overall Width	41.5"	
*Overall Depth	52.2"	
Overall Height	57.2"	
Cylinder Diameter	36"	
Cylinder Depth	25.9"	
Cylinder Volume	15.2 cu. ft.	
Door Opening Size	18.5"	
Door Bottom to Floor	17.9"	
Water Inlet Connection	4 @ 3/4"	
Drain Diameter	1 @ 3"	
Drain Height to Floor	5.1" to Center	
Motor Power Consumption	5 hp	
Cylinder Speeds RPM (G-Force)	Gentle	28 (0.4)
	Wash	39 (0.8)
	Distribution	70 (2.5)
	Very Low	230 (27)
	Low	396 (80)
	Medium	443 (100)
	**High	495 (125)
	**Very High	542 (150)
**Ultra High	568 (165)	

Voltage/ Circuit Breaker/ FLA	B	120/60/1	N/A
	X	200-240/60 1 or 3 phase	20-16 (1 Phase) 15-10 (3 Phase)
	P	380-415/60/3	15-6
	N	440-480/60/3	15-6

Shipping Dimensions	Width	44"
	Depth	58.5"
	Height	59.6"

Net Weight	1280 lbs.
Shipping Weight	1330 lbs.

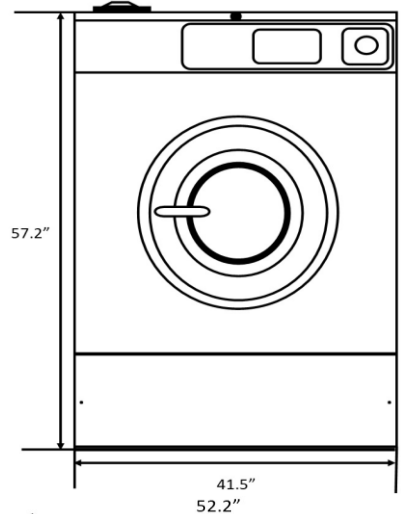
Agency Approvals



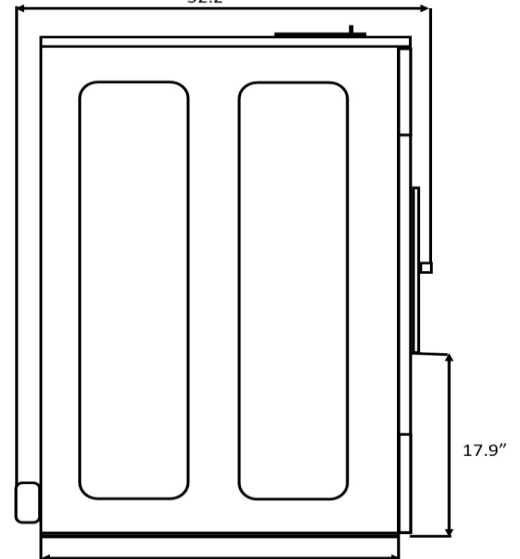
* Overall depth includes drain outlet to door handle

**High, very high and ultra high speed extract available only on V speed washers

Front View



Side View



Rear View

