

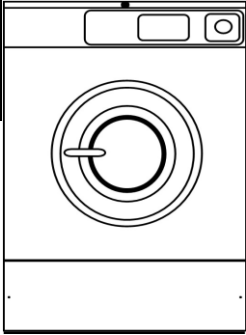
AWE-20 ATHLETIC LAUNDRY SYSTEMS

1-800-327-4782

3611 E. Croft Circle
Spartanburg, SC 29302



www.athleticls.com



20 POUND CAPACITY
HARDMOUNT WASHER-EXTRACTOR

WORKLOAD:

- 30 TOWELS
- 20 FOOTBALL JERSEYS
- 15 FOOTBALL PANTS

Control	Athletic 400	
Capacity	20 lbs. Dry Weight	
Overall Width	26.0"	
*Overall Depth	32.9"	
Overall Height	43.0"	
Cylinder Diameter	21.0"	
Cylinder Depth	13.8"	
Cylinder Volume	2.8 cu. ft.	
Door Opening Size	11.6"	
Door Bottom to Floor	14.4"	
Water Inlet Connection	2 @ 3/4"	
Drain Diameter	1 @ 3"	
Drain Height to Floor	3.9" to Center	
Motor Power Consumption	1 hp	
Cylinder Speeds RPM (G-Force)	Gentle	37 (0.4)
	Wash	51 (0.8)
	Distribution	92 (2.5)
	Very Low	301 (27)
	Low	518 (80)
	Medium	579 (100)
	**High	648 (125)
	**Very High	710 (150)
**Ultra High	819 (200)	

Voltage/ Circuit Breaker/ FLA	B	120/60/1	15-9
	X	200-240/60	15-4 (1 Phase)
		1 or 3 phase	15-3 (3 Phase)
	P	380-415/60/3	15-2
N	440-480/60/3	15-2	

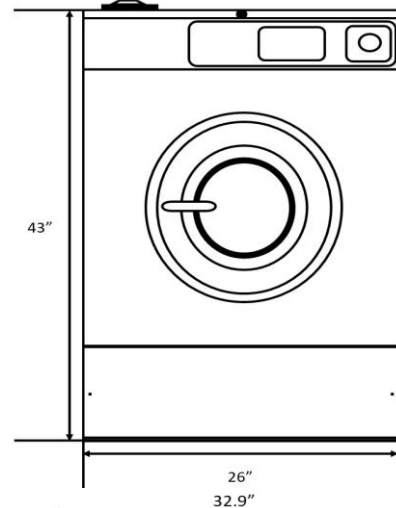
Shipping Dimensions	Width	28"
	Depth	33.8"
	Height	49.4"

Net Weight	340 lbs.
Shipping Weight	380 lbs.

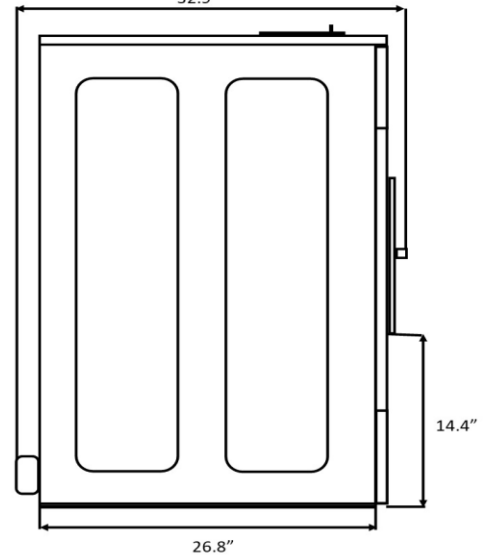
Agency Approvals

* Overall depth includes drain outlet to door handle
 **High, very high and ultra high extract speeds available only on V speed washers

Front View



Side View



Rear View

