

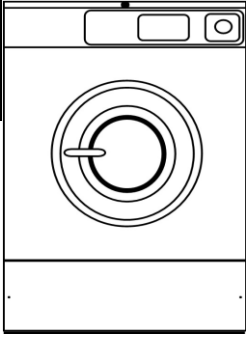
AWE-30 ATHLETIC LAUNDRY SYSTEMS

30 POUND CAPACITY
HARDMOUNT WASHER-EXTRACTOR

1-800-327-4782

3611 E. Croft Circle
Spartanburg, SC 29302

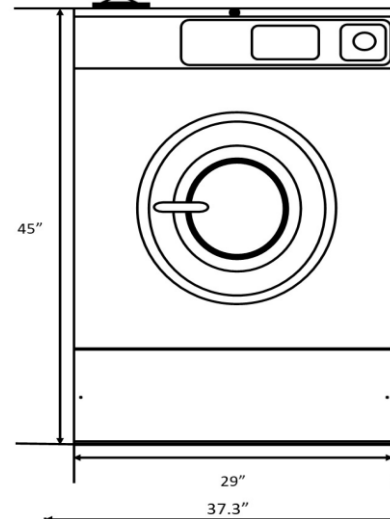
www.athleticls.com



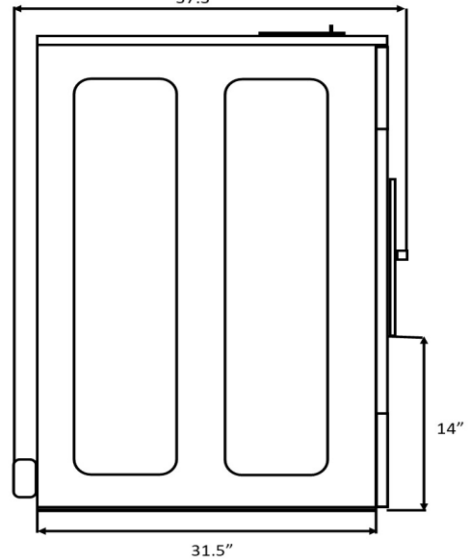
- WORKLOAD:**
- 45 TOWELS
 - 30 FOOTBALL JERSEYS
 - 23 FOOTBALL PANTS

Control	Athletic 400		
Capacity	30 lbs. Dry Weight		
Overall Width	29.0"		
*Overall Depth	37.3"		
Overall Height	45.0"		
Cylinder Diameter	24.0"		
Cylinder Depth	16"		
Cylinder Volume	4.2 cu. ft.		
Door Opening Size	14.3"		
Door Bottom to Floor	14"		
Water Inlet Connection	2 @ 3/4"		
Drain Diameter	1 @ 3"		
Drain Height to Floor	4.3" to Center		
Motor Power Consumption	1 hp		
Cylinder Speeds RPM (G-Force)	Gentle	34 (0.4)	
	Wash	48 (0.8)	
	Distribution	86 (2.5)	
	Very Low	282 (27)	
	Low	485 (80)	
	Medium	542 (100)	
	**High	606 (125)	
	**Very High	764 (150)	
**Ultra High	766 (200)		
Voltage/ Circuit	B	120/60/1	15-12
	X	200-240/60	15-7 (1 Phase)
		1 or 3 phase	15-4 (3 Phase)
	Breaker/ FLA	P	380-415/60/3
N		440-480/60/3	15-3
Shipping Dimensions	Width	31.5"	
	Depth	38.3"	
	Height	51.3"	
Net Weight	440 lbs.		
Shipping Weight	480 lbs.		
Agency Approvals			

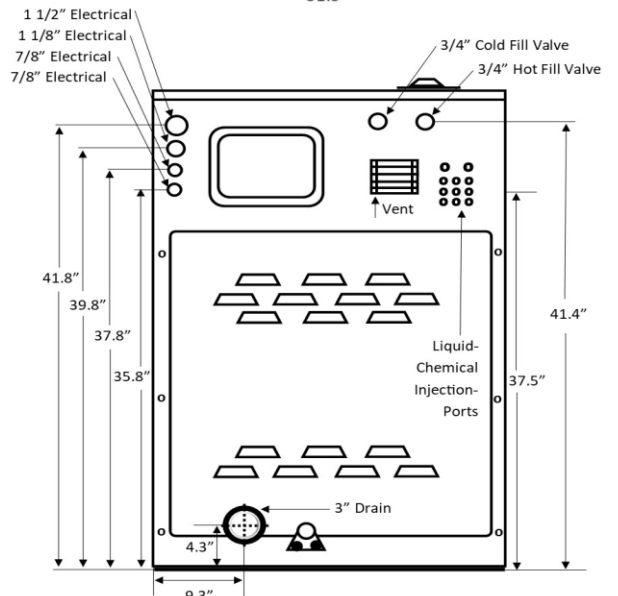
Front View



Side View



Rear View



* Overall depth includes drain outlet to door handle

**High, very high and ultra high speed extract available only on V speed washers