

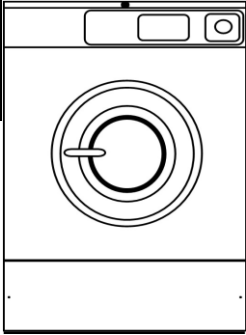
AWE-40 ATHLETIC LAUNDRY SYSTEMS

40 POUND CAPACITY
HARDMOUNT WASHER-EXTRACTOR

1-800-327-4782



3611 E. Croft Circle
Spartanburg, SC 29302

www.athleticls.com



WORKLOAD:

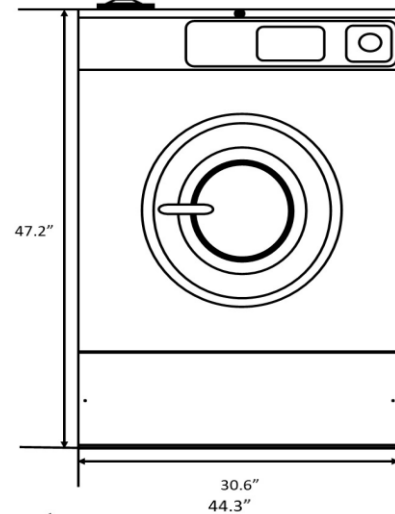
- 60 TOWELS
- 40 FOOTBALL JERSEYS
- 30 FOOTBALL PANTS

Control	Athletic 400		
Capacity	40 lbs. Dry Weight		
Overall Width	30.6"		
*Overall Depth	44.3"		
Overall Height	47.2"		
Cylinder Diameter	26.3"		
Cylinder Depth	20.3"		
Cylinder Volume	6.3 cu. ft.		
Door Opening Size	16.3"		
Door Bottom to Floor	14.6"		
Water Inlet Connection	2 @ 3/4"		
Drain Diameter	1 @ 3"		
Drain Height to Floor	4.5" to Center		
Motor Power Consumption	2 hp		
Cylinder Speeds RPM (G-Force)	Gentle	33 (0.4)	
	Wash	46 (0.8)	
	Distribution	82 (2.5)	
	Very Low	269 (27)	
	Low	464 (80)	
	Medium	518 (100)	
	**High	579 (125)	
	**Very High	635 (150)	
**Ultra High	733 (200)		
Voltage/ Circuit	B	120/60/1	15-12
	X	200-240/60	15-7 (1 Phase)
		1 or 3 phase	15-4 (3 Phase)
	Breaker/ FLA	P	380-415/60/3
	N	440-480/60/3	15-3
Shipping Dimensions	Width	32.5"	
	Depth	43.5"	
	Height	53.6"	
Net Weight	540 lbs.		
Shipping Weight	580 lbs.		
Agency Approvals			
			

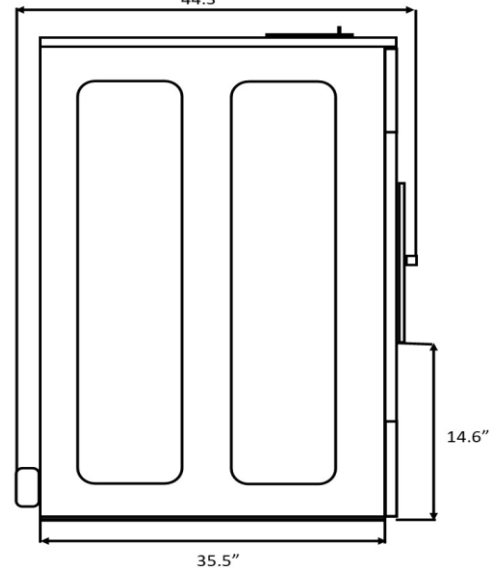
* Overall depth includes drain outlet to door handle

**High, very high and ultra high speed extract available only on V speed washers

Front View



Side View



Rear View

