

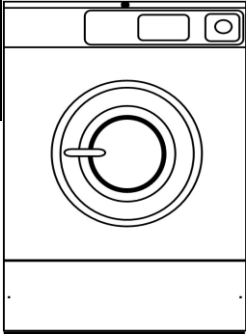
# AWE-60 ATHLETIC LAUNDRY SYSTEMS

60 POUND CAPACITY  
HARDMOUNT WASHER-EXTRACTOR

1-800-327-4782

3611 E. Croft Circle  
Spartanburg, SC 29302

www.athleticls.com



**WORKLOAD:**

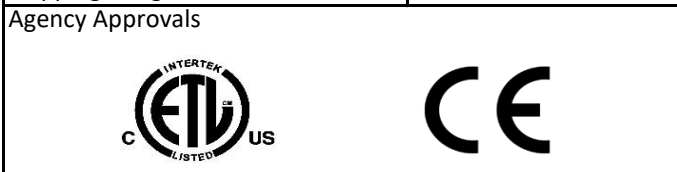
- 90 TOWELS
- 60 FOOTBALL JERSEYS
- 45 FOOTBALL PANTS

Control	Athletic 400	
Capacity	60 lbs. Dry Weight	
Overall Width	34.1"	
*Overall Depth	46.7"	
Overall Height	49.9"	
Cylinder Diameter	30"	
Cylinder Depth	22"	
Cylinder Volume	9 cu. ft.	
Door Opening Size	16.3"	
Door Bottom to Floor	14.9"	
Water Inlet Connection	4 @ 3/4"	
Drain Diameter	1 @ 3"	
Drain Height to Floor	4.9" to Center	
Motor Power Consumption	3 hp	
Cylinder Speeds RPM (G-Force)	Gentle	31 (0.4)
	Wash	43 (0.8)
	Distribution	77 (2.5)
	Very Low	252 (27)
	Low	434 (80)
	Medium	485 (100)
	**High	542 (125)
**Very High	594 (150)	
**Ultra High	686 (200)	

Voltage/ Circuit Breaker/ FLA	B	120/60/1	N/A
	X	200-240/60 1 or 3 phase	15-11 (1 Phase) 15-7 (3 Phase)
	P	380-415/60/3	15-4
	N	440-480/60/3	15-4

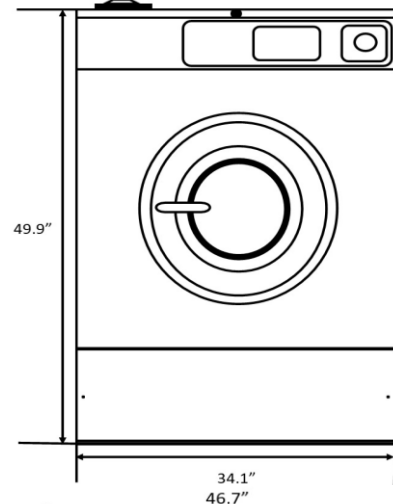
Shipping Dimensions	Width	37.5"
	Depth	46.9"
	Height	56.3"

Net Weight	680 lbs.
Shipping Weight	720 lbs.

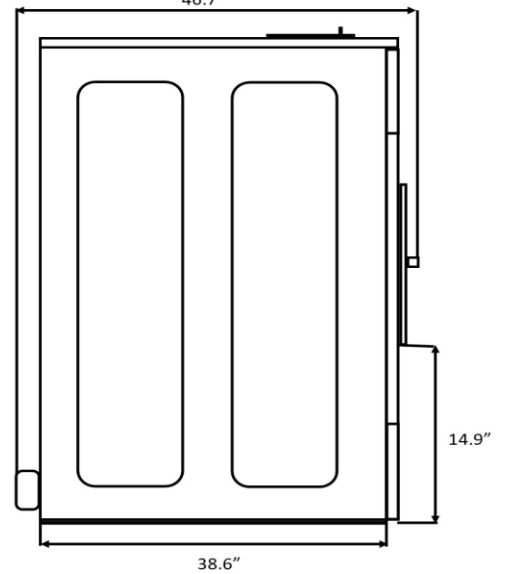


\* Overall depth includes drain outlet to door handle  
\*\*High, very high and ultra high speed extract available only on V speed washers

Front View



Side View



Rear View

