

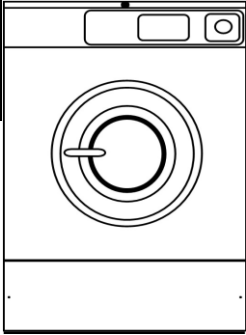
AWE-80 ATHLETIC LAUNDRY SYSTEMS

1-800-327-4782

3611 E. Croft Circle
Spartanburg, SC 29302



www.athleticls.com

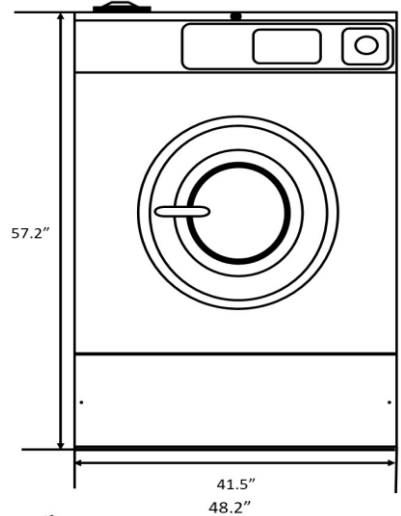


80 POUND CAPACITY
HARDMOUNT WASHER-EXTRACTOR

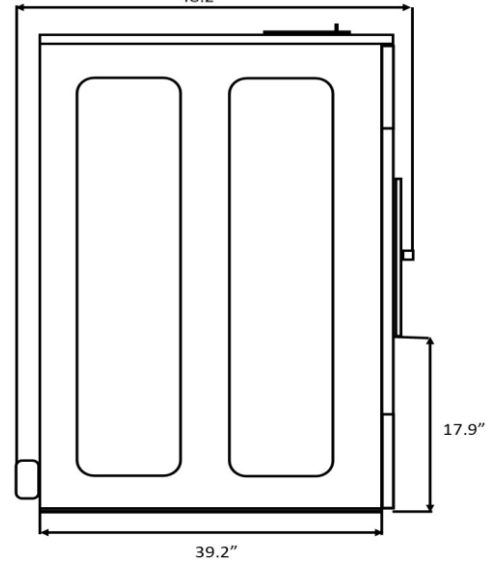
- WORKLOAD:**
- 120 TOWELS
 - 80 FOOTBALL JERSEYS
 - 60 FOOTBALL PANTS

Control	Athletic 400		
Capacity	80 lbs. Dry Weight		
Overall Width	41.5"		
*Overall Depth	48.2"		
Overall Height	57.2"		
Cylinder Diameter	36"		
Cylinder Depth	21.9"		
Cylinder Volume	12.9 cu. ft.		
Door Opening Size	18.5"		
Door Bottom to Floor	17.9"		
Water Inlet Connection	4 @ 3/4"		
Drain Diameter	1 @ 3"		
Drain Height to Floor	5.1" to Center		
Motor Power Consumption	5 hp		
Cylinder Speeds RPM (G-Force)	Gentle	28 (0.4)	
	Wash	39 (0.8)	
	Distribution	70 (2.5)	
	Very Low	230 (27)	
	Low	396 (80)	
	Medium	443 (100)	
	**High	495 (125)	
	**Very High	542 (150)	
**Ultra High	626 (200)		
Voltage/ Circuit	B	120/60/1	N/A
	X	200-240/60	20-15 (1 Phase)
		1 or 3 phase	15-9 (3 Phase)
	Breaker/ FLA	P	380-415/60/3
N		440-480/60/3	15-6
Shipping Dimensions	Width	44"	
	Depth	54.5"	
	Height	59.6"	
Net Weight	1250 lbs.		
Shipping Weight	1300 lbs.		
Agency Approvals			

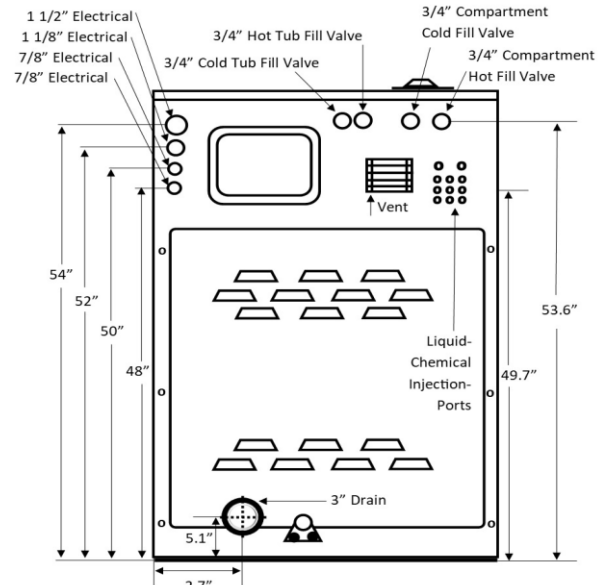
Front View



Side View



Rear View



* Overall depth includes drain outlet to door handle

**High, very high and ultra high speed extract available only on V speed washers