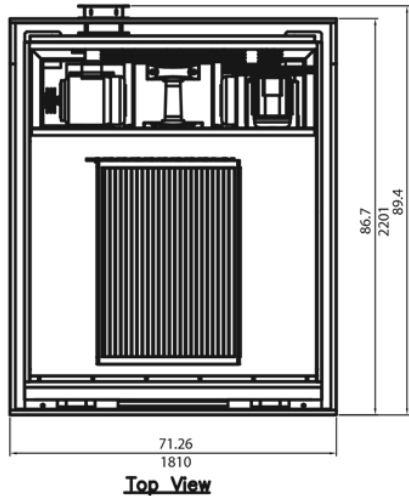
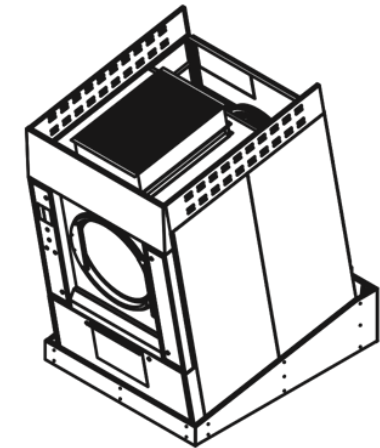
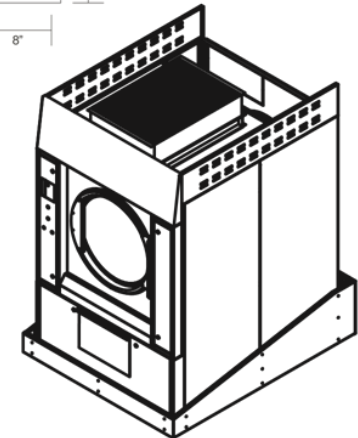
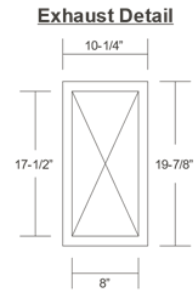
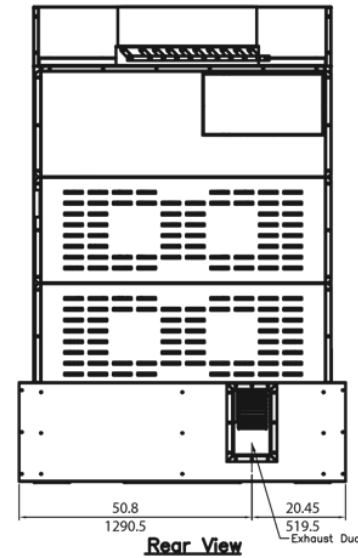
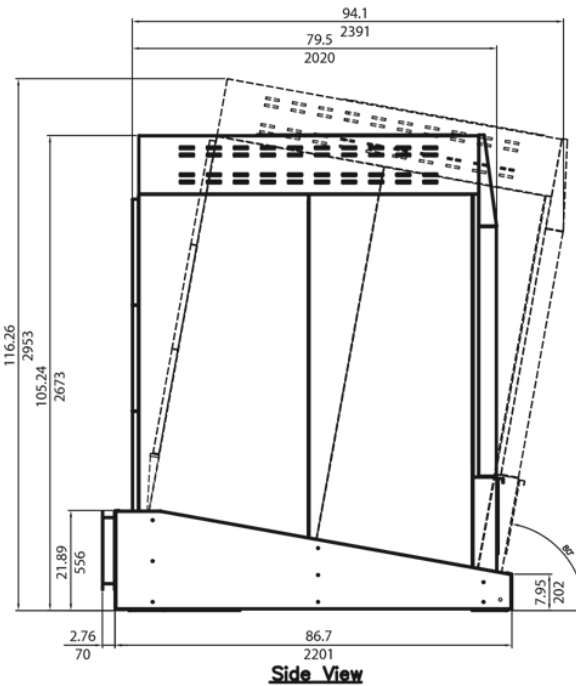
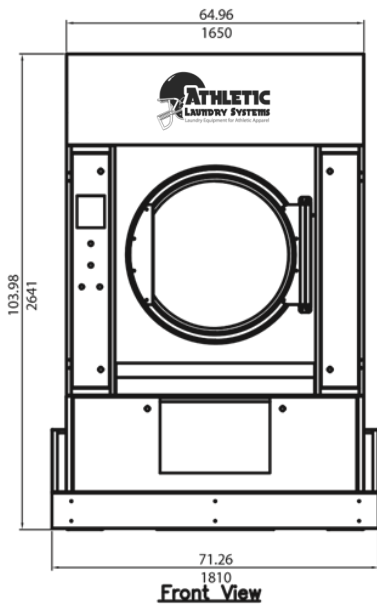


A



DP-200	Units			
	English	Metric		
Cylinder Volume	cu ft	liters	75	2100
Capacity	lbs	kg	200	91
Gas Inlet	inch		1-1/4	
BTU/hr (Gas Heat)			760,000	
Steam Inlet	inch		2	
Steam Return	inch		1-1/4	
Steam Consumption			27 BHP	
Max Steam Pressure	psi	bar	125	9
Airflow (Gas Heat)	CFM	CMM	5,300	150
Airflow (Steam Heat)	CFM	CMM	6,500	184
Max Amps	208-230VAC	440-460VAC	34	16
Circuit Breaker			50	25
Weight	lbs	kg	2535	1149

WWW.ATHLETICLS.COM

1-800-327-4782

SALES@ATHLETICLS.COM



DESCRIPTION		
General Technical Specifications DP-200 1-Way Tilt		
DATE	FILE NAME	SHEET
8-8-2012	DP-200 Tilt General Specifications.pdf	1 OF 1