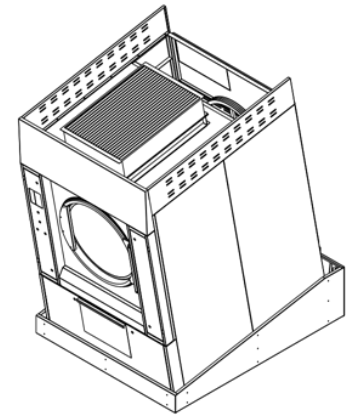


DP-250	Units			
	English	Metric		
Cylinder Volume	cu ft	liters	77	2200
Capacity	lbs	kg	250	114
BTU/hr (Gas Heat)			950,000	
Steam Consumption			31 BHP	
Max Steam Pressure	psi	bar	125	9
Airflow (Gas Heat)	CFM	CMM	5,500	156
Airflow (Steam Heat)	CFM	CMM	6,100	172
Compressed Air (80 psi)	CFM	CMM	0.50	0.01
Max Amps	220-240VAC	440-480VAC	39	19
Circuit Breaker			80	40
Weight	lbs	kg	2885	1308

Note: Minimum rigging height is 94.5 inches (2400mm) with fascia panels and burner removed.



WWW.ATHLETICLS.COM
 1-800-327-4782
 SALES@ATHLETICLS.COM



DESCRIPTION		
General Technical Specifications DP-250 Dryer		
DATE	FILE NAME	SHEET
9-2-2011	DP-250 Tilt General Specifications.pdf	1 OF 1