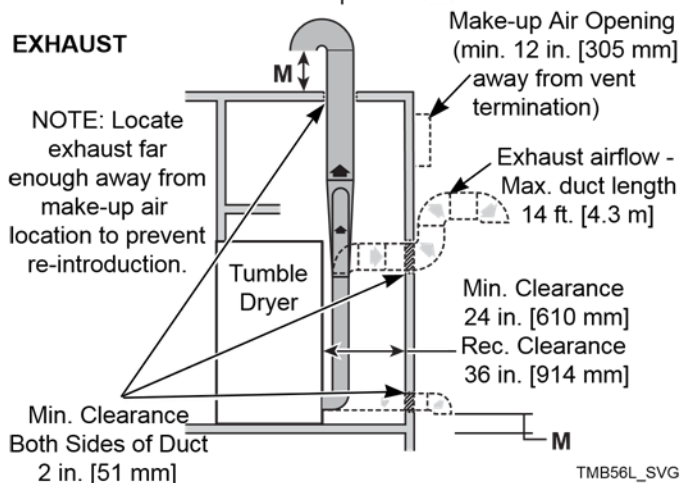
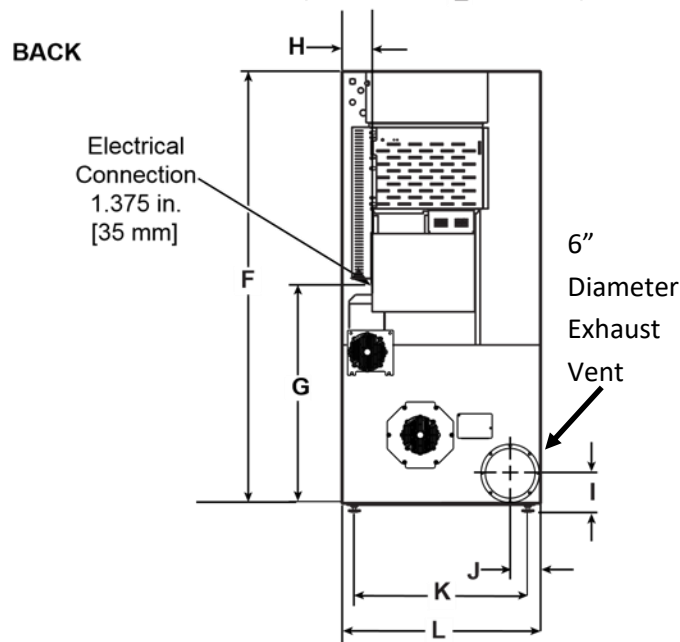
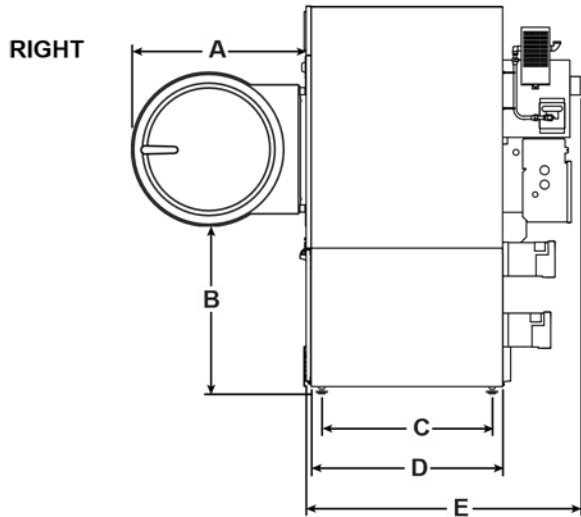


# Machine Dimensions and Specifications

Model HT025E 25lb. Capacity Athletic Drying Tumbler  
Electric Elements as Heat Source



Equipment specifications are subject to change without notice.



TMB56L\_SVG

## Dimensions

A	26.3 [670]	H	3.3 [80]
B	27.5 [700]	I	4.6 [115]
C	22.4 [570]	J	3.9 [100]
D	25.8 [655]	K	24.6 [625]
E	39.4 [1,000]	L	27.9 [710]
F	63.9 [1,625]	M	36 [910]
G	29.6 [750]		
in. [mm]			

## Specifications

Net Weight (approximate): Pounds [kg]	310 [140]
Required Make-Up Air Opening (to the outside) for Each Tumble Dryer, in. <sup>2</sup> [cm <sup>2</sup> ]	110 [710]
Maximum Airflow: C.F.M. [l/sec]	500 [240]
Maximum Static Back Pressure: Inch W.C. [mbar, kPa]	0.80 [2.0, 0.20]
Heating Element Rating: Kilowatts	12

## Electrical Specifications

Voltage Code	Voltage	Cycle	Phase	Wire	Full Load Amps	Circuit Breaker	Wire Size AWG [mm <sup>2</sup> ]
D	200-208	50-60	1	L1, L2 and ground	60	80	4 [25]
E	230-240	50-60	1	L1, L2 and ground	53	70	4 [25]
F	200-208	50-60	3	L1, L2, L3 and ground	36	45	8 [10]
G	230-240	50-60	3	L1, L2, L3 and ground	32	40	8 [10]
K	440	50-60	3	L1, L2, L3 and ground	17	25	10 [6]
L	460-480	50-60	3	L1, L2, L3 and ground	15	20	12 [4]

WWW.ATHLETICLS.COM

1-800-327-4782

SALES@ATHLETICLS.COM