

Machine Dimensions and Specifications

Model HT025N 25lb. Capacity Athletic Drying Tumbler
Natural Gas or Propane Gas Heat Source



Equipment specifications are subject to change without notice.

Dimensions

A	26.3 [670]	I	1.4 [35]
B	27.5 [700]	J	4.6 [115]
C	22.4 [570]	K	3.9 [100]
D	25.8 [655]	L	24.6 [625]
E	39.4 [1,000]	M	27.9 [710]
F	63.9 [1,625]	N	36 [910]
G	62.3 [1,580]		
H	58.0 [1,475]		
in. [mm]			

Specifications

Net Weight (approximate): Pounds [kg]	300 [135]	
Required Make-Up Air Opening (to the outside) for Each Tumble Dryer, in. ² [cm ²]	110 [710]	
Maximum Airflow: C.F.M. [l/sec]	500 [240]	
Maximum Static Back Pressure: Inch W.C. [mbar, kPa]	0.80 [2.0, 0.20]	
Gas Burner Rating: BTU/hr. [kW, Mj/hr.]	64,000 [18.8, 67.5]	
Recommended Gas Pressure:	N. G.	6.5 in. w.c.
	P.	11 in.w.c.

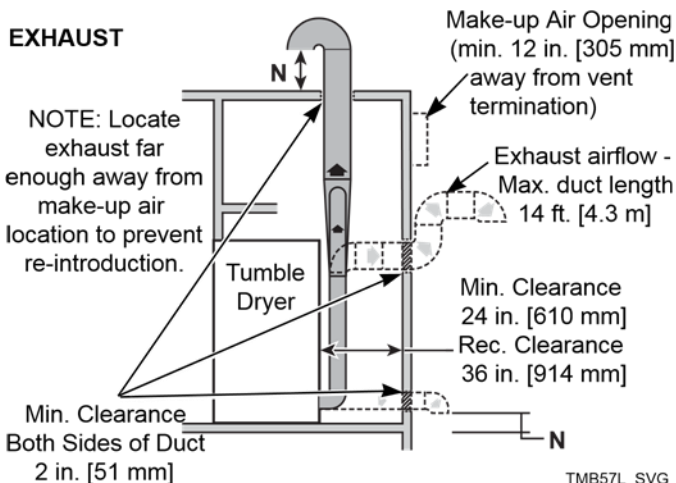
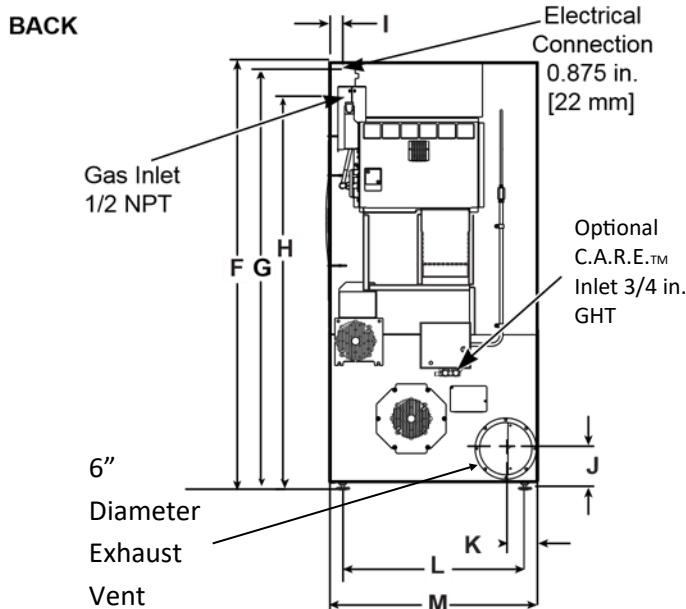
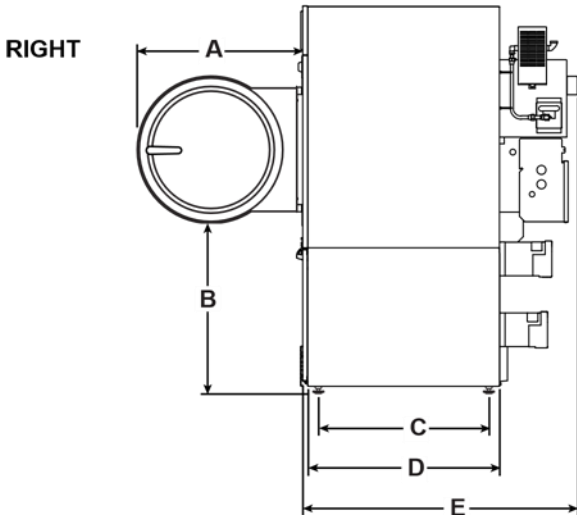
Electrical Specifications

Voltage Code	Voltage	Cycle	Phase	Wire	Full Load Amps	Circuit Breaker	Wire Size AWG[mm ²]
B	100-120	50-60	1	L1, Neutral, and ground	10	15	14 [2.5]
X	200-240	50-60	1	L1, L2 and ground	6	15	14 [2.5]
			3	L1, L2, L3 and ground			
N	440-480	50-60	3	L1, L2, L3 and ground	3	15	14 [2.5]

WWW.ATHLETICLS.COM

1-800-327-4782

SALES@ATHLETICLS.COM



TMB57L_SVG