

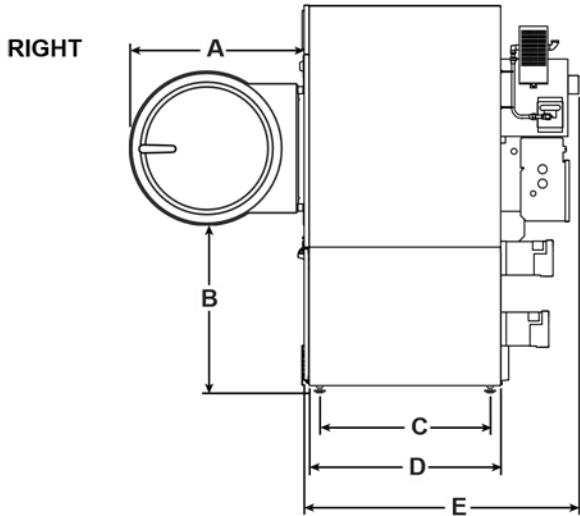
Machine Dimensions and Specifications

Model HT030E 30lb. Capacity Athletic Drying Tumbler
Electric Elements as Heat Source



Equipment specifications are subject to change without notice.

Dimensions

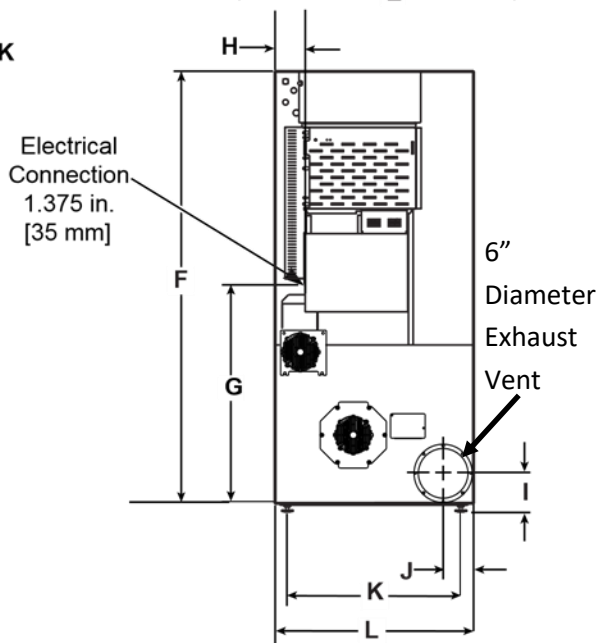


A	26.3 [670]	H	3.3 [80]
B	27.5 [700]	I	4.6 [115]
C	28.4 [720]	J	3.9 [100]
D	31.8 [810]	K	24.6 [625]
E	45.5 [1,155]	L	27.9 [710]
F	63.9 [1,625]	M	36 [910]
G	29.6 [750]		
in. [mm]			

Specifications

Net Weight (approximate): Pounds [kg]	330 [150]
Required Make-Up Air Opening (to the outside) for Each Tumble Dryer, in. ² [cm ²]	110 [710]
Maximum Airflow: C.F.M. [l/sec]	500 [240]
Maximum Static Back Pressure: Inch W.C. [mbar, kPa]	0.80 [2.0, 0.20]
Heating Element Rating: Kilowatts	21

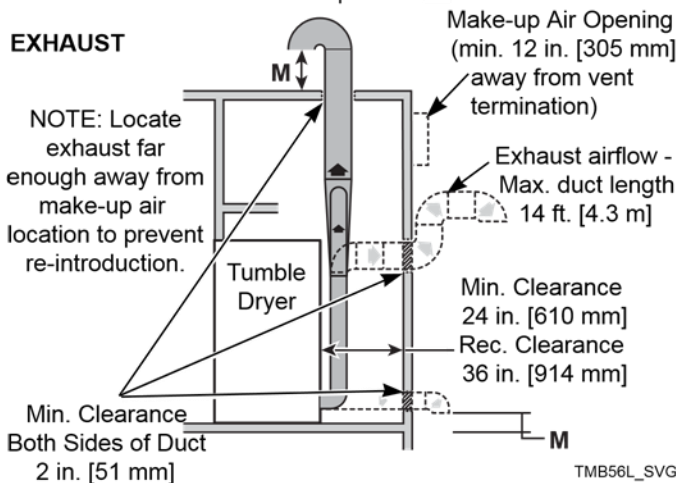
BACK



Electrical Specifications

Voltage Code	Voltage	Cycle	Phase	Wire	Full Load Amps	Circuit Breaker	Wire Size AWG [mm ²]
D	200-208	50-60	1	L1, L2 and ground	104	150	1/0 [50]
E	230-240	50-60	1	L1, L2 and ground	90	125	1 [35]
F	200-208	50-60	3	L1, L2, L3 and ground	61	80	4 [25]
G	230-240	50-60	3	L1, L2, L3 and ground	52	70	4 [25]
K	440	50-60	3	L1, L2, L3 and ground	29	40	8 [10]
L	460-480	50-60	3	L1, L2, L3 and ground	27	35	8 [10]

EXHAUST



WWW.ATHLETICLS.COM

1-800-327-4782

SALES@ATHLETICLS.COM