

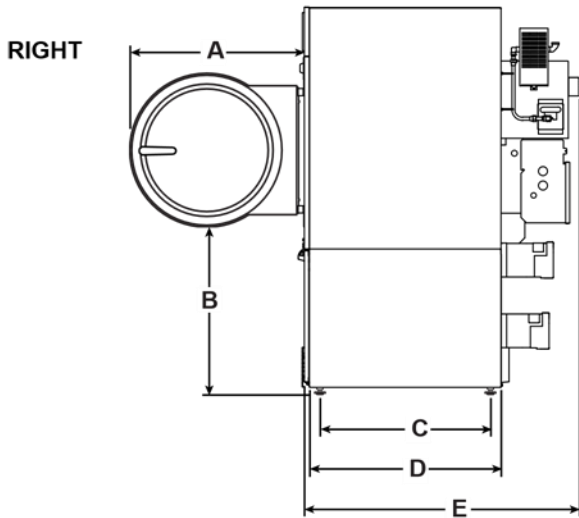
Machine Dimensions and Specifications

Model HT035E 35lb. Capacity Athletic Drying Tumbler
Electric Elements as Heat Source



Equipment specifications are subject to change without notice.

Dimensions

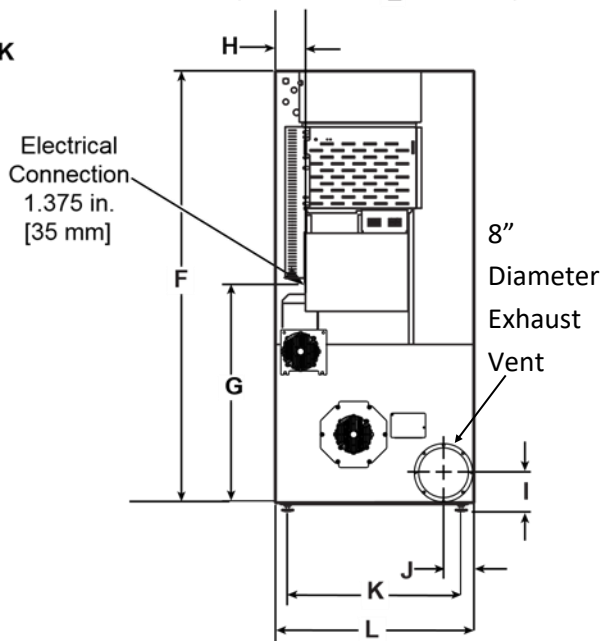


A	28.0 [710]	H	5.0 [130]
B	27.5 [700]	I	5.6 [145]
C	28.4 [720]	J	4.9 [125]
D	31.8 [810]	K	27.4 [695]
E	45.5 [1,155]	L	31.5 [800]
F	63.9 [1,625]	M	36 [910]
G	29.6 [750]		
in. [mm]			

Specifications

Net Weight (approximate): Pounds [kg]	350 [160]
Required Make-Up Air Opening (to the outside) for Each Tumble Dryer, in. ² [cm ²]	144 [930]
Maximum Airflow: C.F.M. [l/sec]	600 [280]
Maximum Static Back Pressure: Inch W.C. [mbar, kPa]	0.60 [1.5, 0.15]
Heating Element Rating: Kilowatts	24

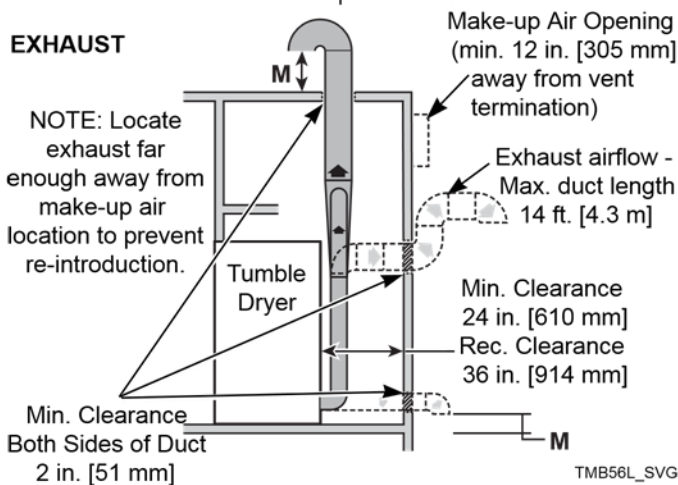
BACK



Electrical Specifications

Voltage Code	Voltage	Cycle	Phase	Wire	Full Load Amps	Circuit Breaker	Wire Size AWG [mm ²]
D	200-208	50-60	1	L1, L2 and ground	118	150	1/0 [50]
E	230-240	50-60	1	L1, L2 and ground	102	150	1/0 [50]
F	200-208	50-60	3	L1, L2, L3 and ground	69	90	3 [26.7]
G	230-240	50-60	3	L1, L2, L3 and ground	59	80	4 [25]
K	440	50-60	3	L1, L2, L3 and ground	32	40	8 [10]
L	460-480	50-60	3	L1, L2, L3 and ground	30	40	8 [10]

EXHAUST



TMB56L_SVG

WWW.ATHLETICLS.COM

1-800-327-4782

SALES@ATHLETICLS.COM