

Machine Dimensions and Specifications

Model HT035N 35lb. Capacity Athletic Drying Tumbler
Natural Gas or Propane Gas Heat Source



Equipment specifications are subject to change without notice.

Dimensions

A	28.0 [710]	I	1.8 [45]
B	27.5 [700]	J	5.6 [145]
C	28.4 [720]	K	4.9 [125]
D	31.8 [810]	L	27.4 [695]
E	45.5 [1,155]	M	31.5 [800]
F	63.9 [1,625]	N	36 [910]
G	62.3 [1,580]		
H	58.0 [1,475]		
in. [mm]			

Specifications

Net Weight (approximate): Pounds [kg]	340 [155]
Required Make-Up Air Opening (to the outside) for Each Tumble Dryer, in. ² [cm ²]	144 [930]
Maximum Airflow: C.F.M. [l/sec]	600 [280]
Maximum Static Back Pressure: Inch W.C. [mbar, kPa]	0.60 [1.5, 0.15]
Gas Burner Rating: BTU/hr. [kW, Mj/hr.]	90,000 [26.4, 95.0]
Recommended Gas Pressure:	N. G. 6.5 in. w.c.
	P. 11 in.w.c.

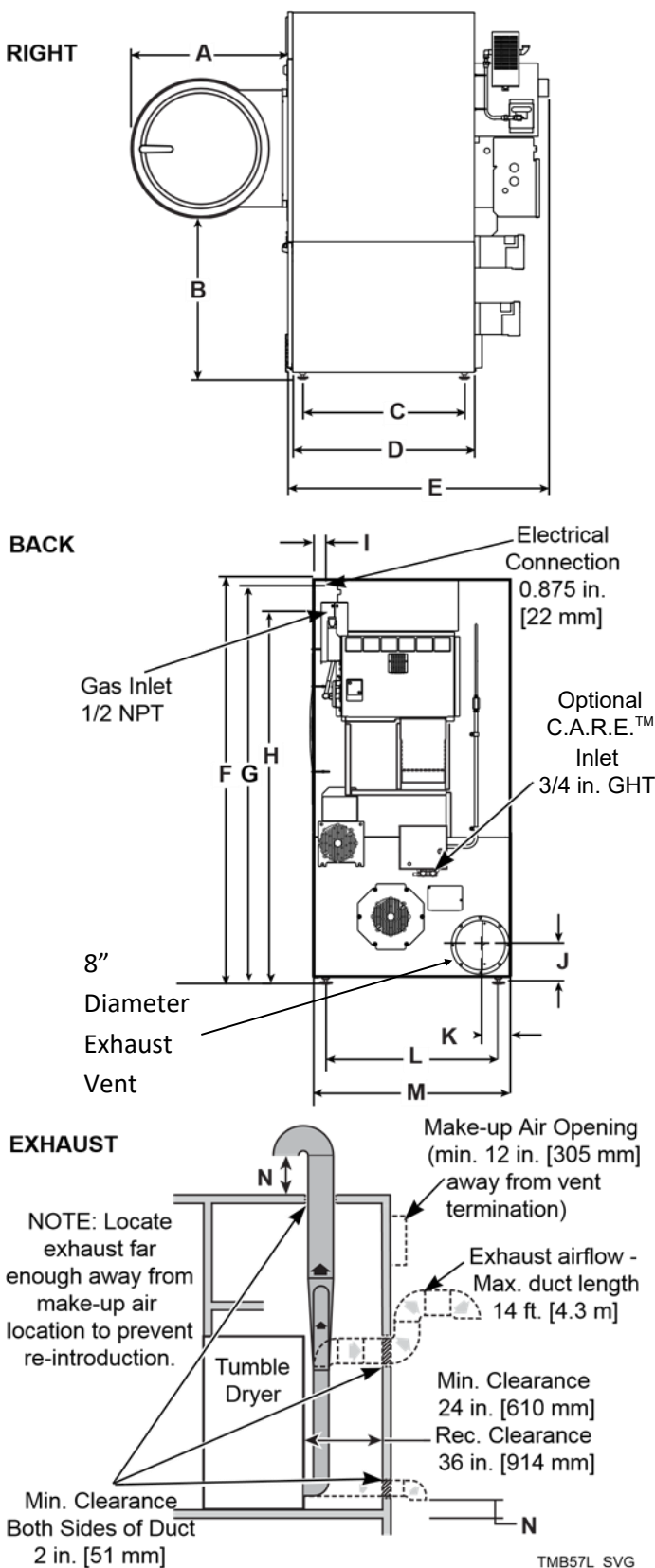
Electrical Specifications

Voltage Code	Voltage	Cycle	Phase	Wire	Full Load Amps	Circuit Breaker	Wire Size AWG mm ²
B	100-120	50-60	1	L1, Neutral, and ground	10	15	14 [2.5]
X	200-240	50-60	1	L1, L2 and ground	6	15	14 [2.5]
			3	L1, L2, L3 and ground			
N	440-480	50-60	3	L1, L2, L3 and ground	3	15	14 [2.5]

WWW.ATHLETICLS.COM

1-800-327-4782

SALES@ATHLETICLS.COM



TMB57L_SVG