

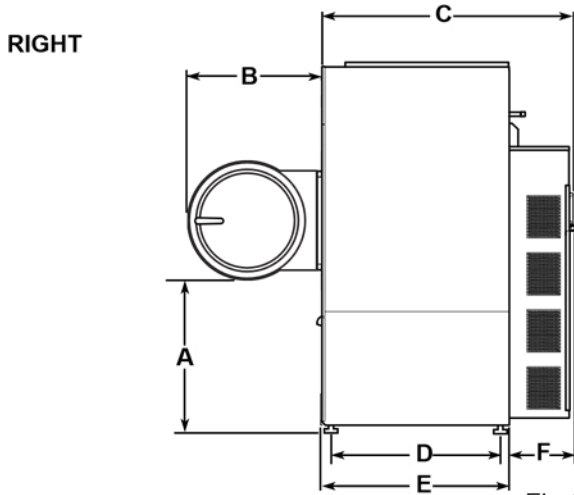
Machine Dimensions and Specifications

Model HT050E 50lb. Capacity Athletic Drying Tumbler
Electric Elements as Heat Source



Equipment specifications are subject to change without notice.

Dimensions



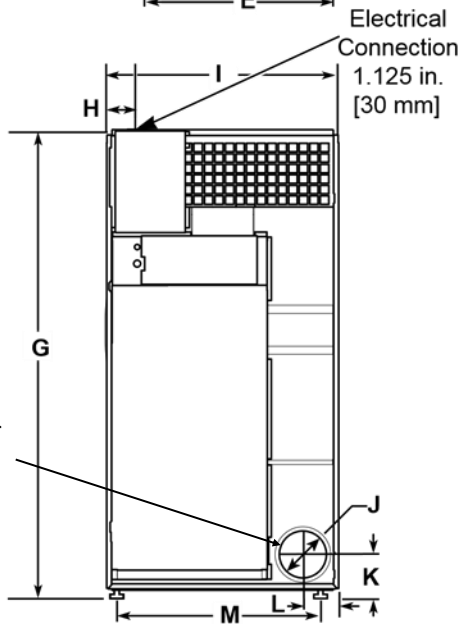
A	29.2 [740]	I	38.5 [980]
B	33.9 [860]	J	8.0 [200]
C	46.8 [1190]	K	5.8 [145]
D	29.5 [750]	L	6.0 [150]
E	32.9 [840]	M	33.0 [840]
F	13.8 [350]	N	36 [910]
G	77.3 [1960]		
H	4.0 [100]		

in. [mm]

Specifications

Net Weight (approximate): Pounds [kg]	680 [310]
Required Make-Up Air Opening (to the outside) for Each Tumble Dryer in. ² [cm ²]	144 [930]
Maximum Airflow: C.F.M. [L/sec]	700 [330]
Maximum Static Back Pressure: W.C.I. [Millibar, kPa]	0.50 [1.2, 0.12]
Heating Element Rating: Kilowatts	30

BACK

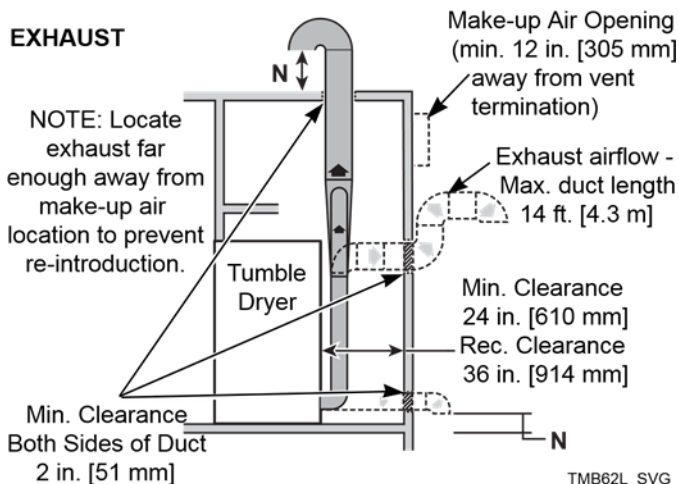


8"
Diameter
Exhaust
Vent

Electrical Specifications

Voltage Code	Voltage	Cycle	Phase	Wire	Full Load Amps	Circuit Breaker	Wire Size AWG mm ²
F	200-208	50-60	3	L1, L2, L3 and ground	87	110	[35]
G	230-240	50-60	3	L1, L2, L3 and ground	75	100	3 [26.7]
K	440	50-60	3	L1, L2, L3 and ground	41	60	[16]
L	460-480	50-60	3	L1, L2, L3 and ground	38	50	[10]

EXHAUST



TMB62L_SVG

WWW.ATHLETICLS.COM

1-800-327-4782

SALES@ATHLETICLS.COM