

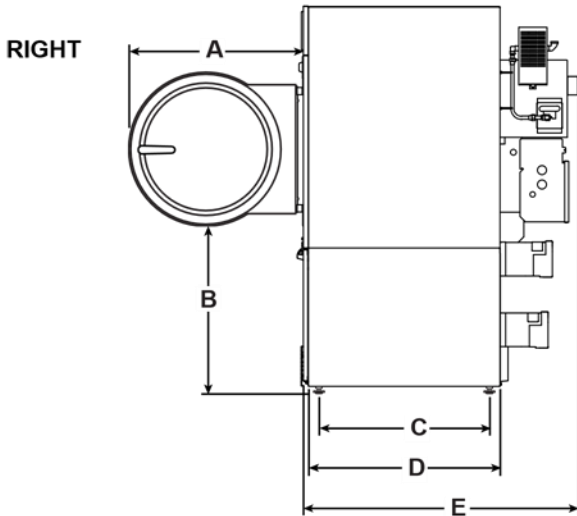
Machine Dimensions and Specifications

Model HT055E 55lb. Capacity Athletic Drying Tumbler
Electric Elements as Heat Source



Equipment specifications are subject to change without notice.

Dimensions

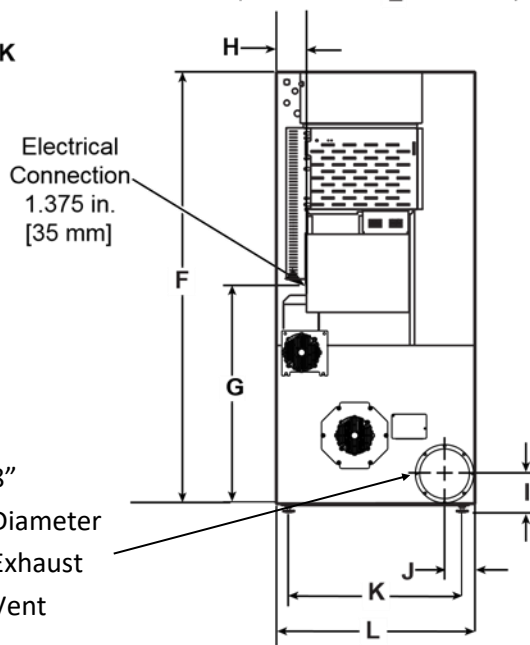


A	31.9 [810]	H	6.6 [170]
B	26.9 [680]	I	5.6 [145]
C	33.4 [850]	J	4.9 [125]
D	36.8 [935]	K	30.5 [775]
E	53.1 [1,350]	L	34.5 [875]
F	66.7 [1,700]	M	36 [910]
G	30.5 [775]		
in. [mm]			

Specifications

Net Weight (approximate): Pounds [kg]	440 [200]
Required Make-Up Air Opening (to the outside) for Each Tumble Dryer, in. ² [cm ²]	144 [930]
Maximum Airflow: C.F.M. [l/sec]	700 [330]
Maximum Static Back Pressure: Inch W.C. [mbar, kPa]	0.60 [1.5, 0.15]
Heating Element Rating: Kilowatts	27

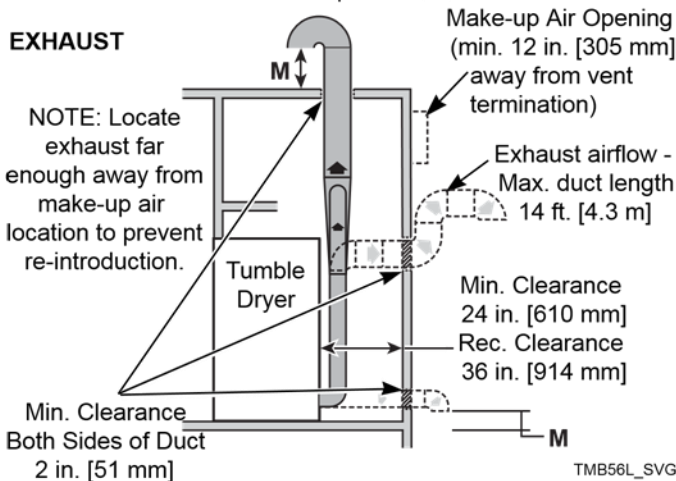
BACK



Electrical Specifications

Voltage Code	Voltage	Cycle	Phase	Wire	Full Load Amps	Circuit Breaker	Wire Size AWG [mm ²]
D	200-208	50-60	1	L1, L2 and ground	133	175	2/0 [70]
E	230-240	50-60	1	L1, L2 and ground	116	150	1/0 [50]
F	200-208	50-60	3	L1, L2, L3 and ground	78	100	3 [26.7]
G	230-240	50-60	3	L1, L2, L3 and ground	67	90	3 [26.7]
K	440	50-60	3	L1, L2, L3 and ground	37	50	8 [10]
L	460-480	50-60	3	L1, L2, L3 and ground	34	45	8 [10]

EXHAUST



WWW.ATHLETICLS.COM

1-800-327-4782

SALES@ATHLETICLS.COM