

Machine Dimensions and Specifications

Model HT055N 55lb. Capacity Athletic Drying Tumbler
Natural Gas or Propane Gas Heat Source



Equipment specifications are subject to change without notice.

Dimensions

A	31.9 [810]	I	1.8 [45]
B	26.9 [680]	J	5.6 [145]
C	33.4 [850]	K	4.9 [125]
D	36.8 [935]	L	30.5 [775]
E	53.1 [1,350]	M	34.5 [875]
F	66.7 [1,700]	N	36 [910]
G	64.6 [1,640]		
H	55.0 [1,400]		
in. [mm]			

Specifications

Net Weight (approximate): Pounds [kg]	430 [195]	
Required Make-Up Air Opening (to the outside) for Each Tumble Dryer, in. ² [cm ²]	144 [930]	
Maximum Airflow: C.F.M. [l/sec]	700 [330]	
Maximum Static Back Pressure: Inch W.C. [mbar, kPa]	0.60 [1.5, 0.15]	
Gas Burner Rating: BTU/hr. [kW, Mj/hr.]	112,000 [32.8, 118]	
Recommended Gas Pressure:	N. G.	6.5 in. w.c.
	P.	11 in.w.c.

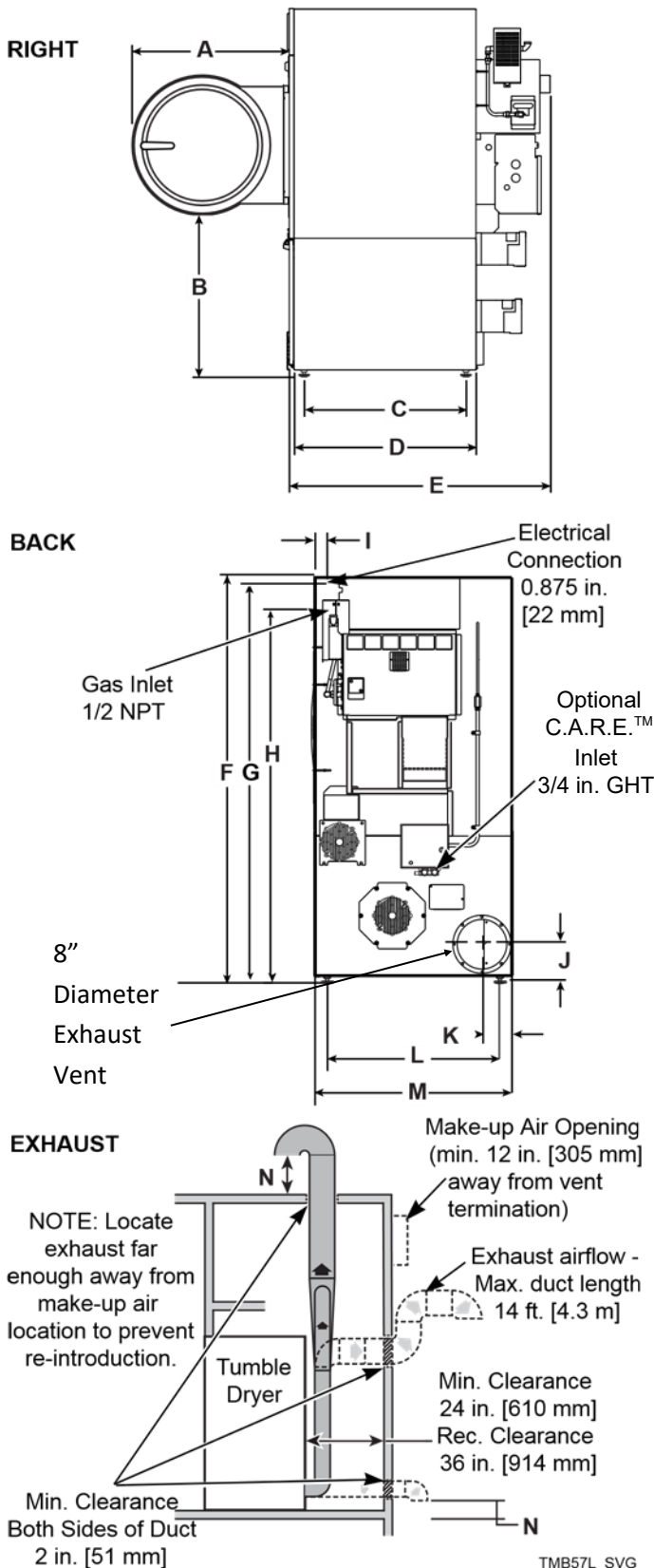
Electrical Specifications

Voltage Code	Voltage	Cycle	Phase	Wire	Full Load Amps	Circuit Breaker	Wire Size AWG mm ²
B	100-120	50-60	1	L1, Neutral, and ground	12	15	14 [2.5]
X	200-240	50-60	1	L1, L2 and ground	7	15	14 [2.5]
			3	L1, L2, L3 and ground			
N	440-480	50-60	3	L1, L2, L3 and ground	3	15	14 [2.5]

WWW.ATHLETICLS.COM

1-800-327-4782

SALES@ATHLETICLS.COM



TMB57L_SVG