

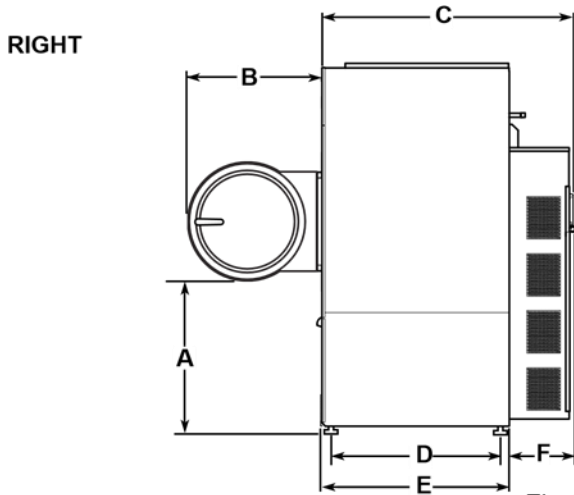
Machine Dimensions and Specifications

Model HT075E 75lb. Capacity Athletic Drying Tumbler
Electric Elements as Heat Source

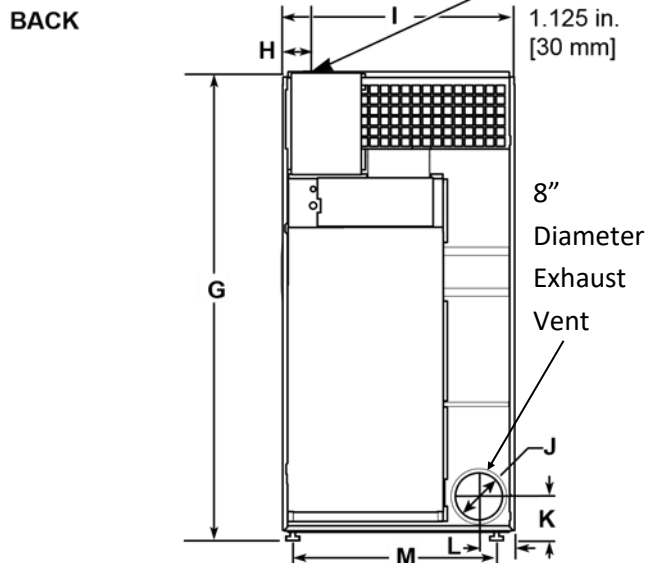


Equipment specifications are subject to change without notice.

Dimensions



A	29.2 [740]	I	38.5 [980]
B	33.9 [860]	J	8.0 [200]
C	53.0 [1350]	K	5.8 [145]
D	35.5 [900]	L	6.0 [150]
E	39.2 [1000]	M	33.0 [840]
F	13.8 [350]	N	36 [910]
G	77.3 [1960]		
H	4.0 [100]		
in. [mm]			

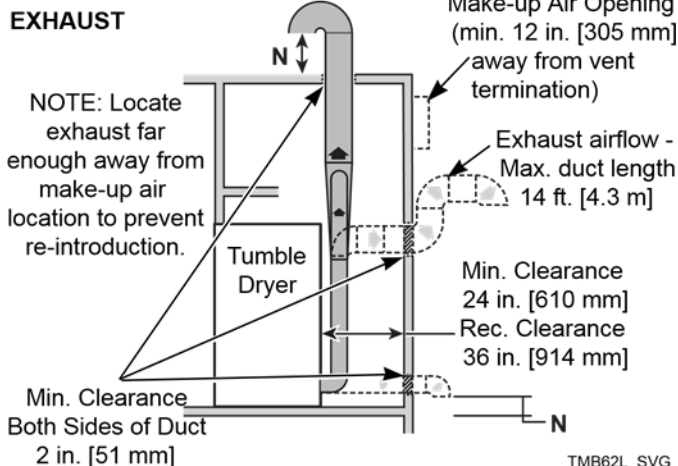


Specifications

Net Weight (approximate): Pounds [kg]	710 [320]
Required Make-Up Air Opening (to the outside) for Each Tumble Dryer, in. ² [cm ²]	195 [1,260]
Maximum Airflow: C.F.M. [l/sec]	800 [380]
Maximum Static Back Pressure: Inch W.C. [mbar, kPa]	0.50 [1.2, 0.12]
Heating Element Rating: Kilowatts	36

Electrical Specifications

Voltage Code	Voltage	Cycle	Phase	Wire	Full Load Amps	Circuit Breaker	Wire Size AWG mm ²
F	200-208	50-60	3	L1, L2, L3 and ground	10 4	150	1/0 [50]
G	230-240	50-60	3	L1, L2, L3 and ground	90	125	[35]
K	440	50-60	3	L1, L2, L3 and ground	49	70	[25]
L	460-480	50-60	3	L1, L2, L3 and ground	45	60	[16]



WWW.ATHLETICLS.COM

1-800-327-4782

SALES@ATHLETICLS.COM