

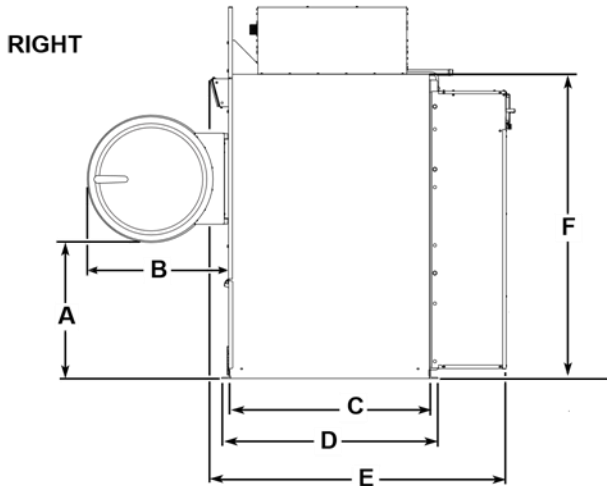
Machine Dimensions and Specifications

Model HT120E 120lb. Capacity Athletic Drying Tumbler
Electric Elements as Heat Source



Equipment specifications are subject to change without notice.

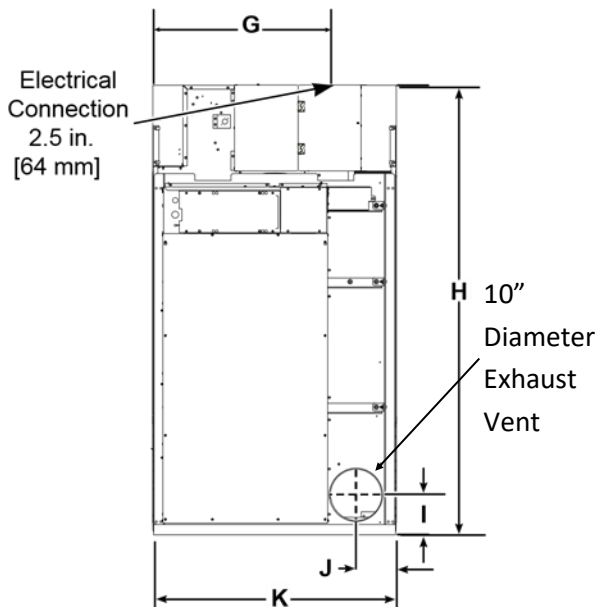
Dimensions



A	31.4 [800]	H	85.7 [2175]
B	32.5 [825]	I	7.6 [195]
C	46.5 [1180]	J	7.6 [195]
D	49.9 [1270]	K	46.1 [1170]
E	67.9 [1725]	L	36 [910]
F	70.0 [1780]		
G	36.4 [925]		
in. [mm]			

Specifications

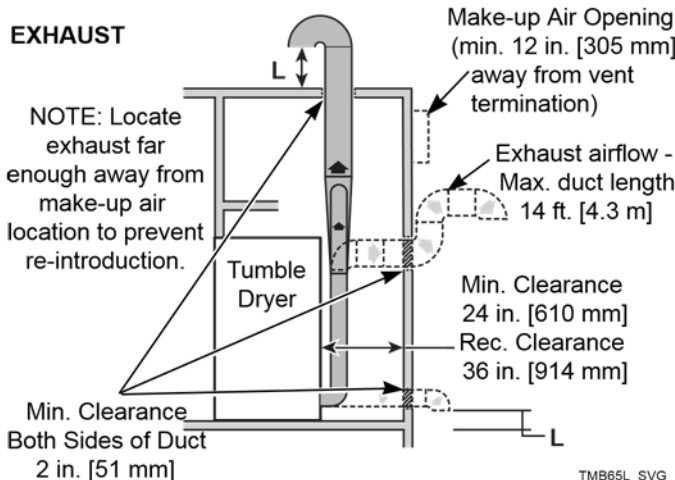
Net Weight (approximate): Pounds [kg]	1250 [565]
Required Make-Up Air Opening (to the outside) for Each Tumble Dryer, in. ² [cm ²]	360 [2300]
Maximum Airflow: C.F.M. [l/sec]	1400 [660]
Maximum Static Back Pressure: Inch W.C. [mbar, kPa]	0.80 [2.0, 0.20]
Heating Element Rating: Kilowatts	60



Electrical Specifications

Code	Voltage	Cycle	Phase	Wire	Full Load Amps	Circuit Breaker	Wire Size AWG [mm ²]
G	230-240	50-60	3	L1, L2, L3 and ground	147	200	3/0 [95]
K	440	50-60	3	L1, L2, L3 and ground	82	110	2 [35]
L	460-480	50-60	3	L1, L2, L3 and ground	75	100	3 [26.7]

EXHAUST



TMB65L_SVG

WWW.ATHLETICLS.COM

1-800-327-4782

SALES@ATHLETICLS.COM