

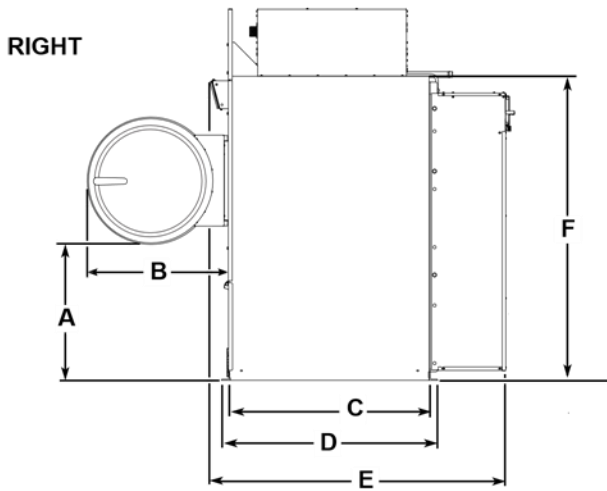
Machine Dimensions and Specifications

Model HT120N 120lb. Capacity Athletic Drying Tumbler
Natural Gas or Propane Gas Heat Source



Equipment specifications are subject to change without notice.

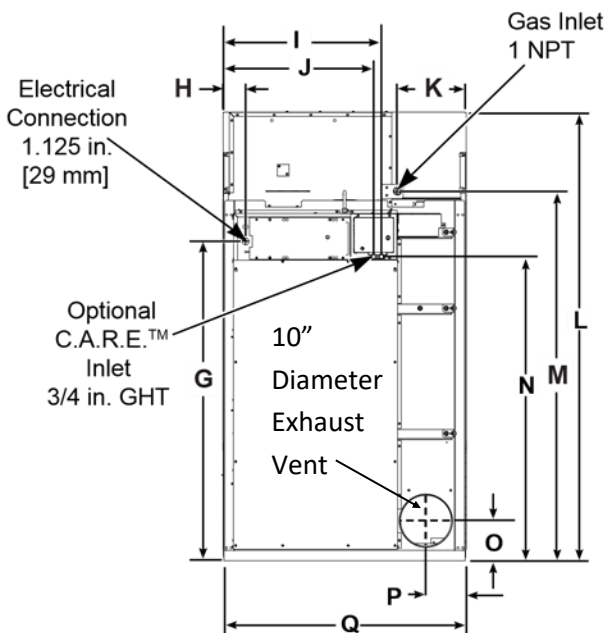
Dimensions



A	31.4 [800]	J	28.6 [725]
B	32.5 [825]	K	12.9 [330]
C	46.5 [1180]	L	85.7 [2175]
D	49.9 [1270]	M	70.2 [1785]
E	67.9 [1725]	N	58.0 [1475]
F	70.0 [1780]	O	7.6 [195]
G	60.9 [1545]	P	7.6 [195]
H	3.9 [100]	Q	46.1 [1170]
I	30.1 [765]	R	36 [910]
in. [mm]			

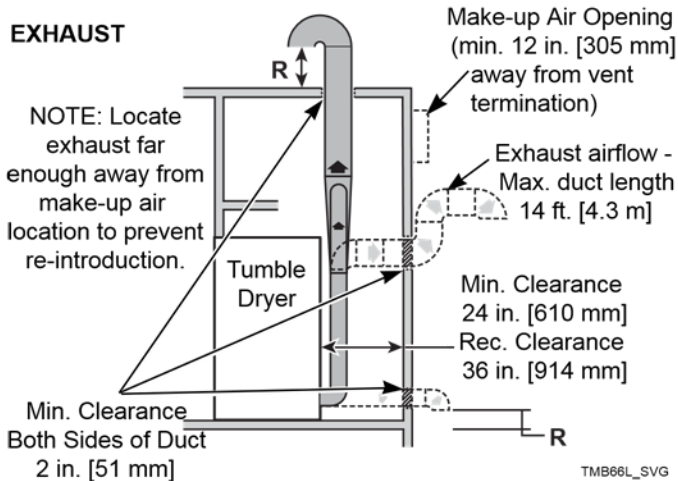
Specifications

Net Weight (approximate): Pounds [kg]	1220 [555]
Required Make-Up Air Opening (to the outside) for Each Tumble Dryer, in. ² [cm ²]	360 [2300]
Maximum Airflow: C.F.M. [l/sec]	1400 [660]
Maximum Static Back Pressure: Inch W.C. [mbar, kPa]	0.80 [2.0, 0.20]
Gas Burner Rating: Btu/hr. [kW, Mj/hr.]	270,000 [79, 290]



Electrical Specifications

Code	Voltage	Cycle	Phase	Wire	Full Load Amps	Circuit Breaker	Wire Size AWG [mm ²]
Q	200-240	50-60	3	L1, L2, L3 and ground	7	15	14 [2.5]
N	440-480	50-60	3	L1, L2, L3 and ground	4	15	14 [2.5]



WWW.ATHLETICLS.COM

1-800-327-4782

SALES@ATHLETICLS.COM