

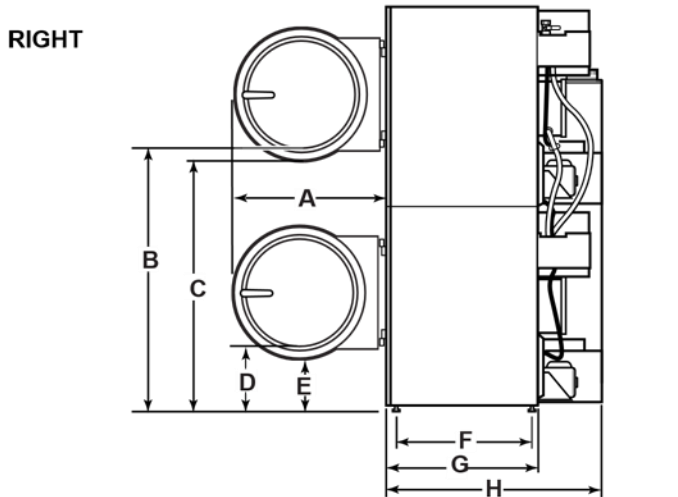
Machine Dimensions and Specifications

Model HTT30N 30lb. Capacity Stacked Athletic Drying Tumbler
Natural Gas or Propane Gas Heat Source

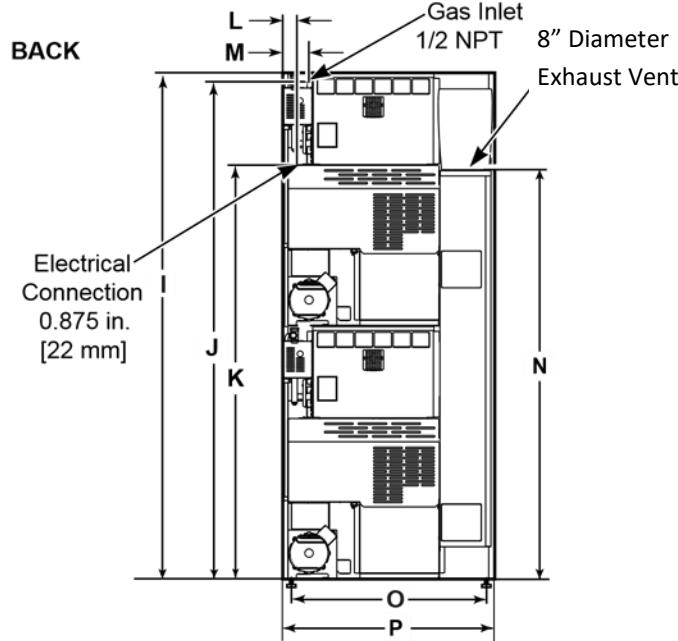


Equipment specifications are subject to change without notice.

Dimensions

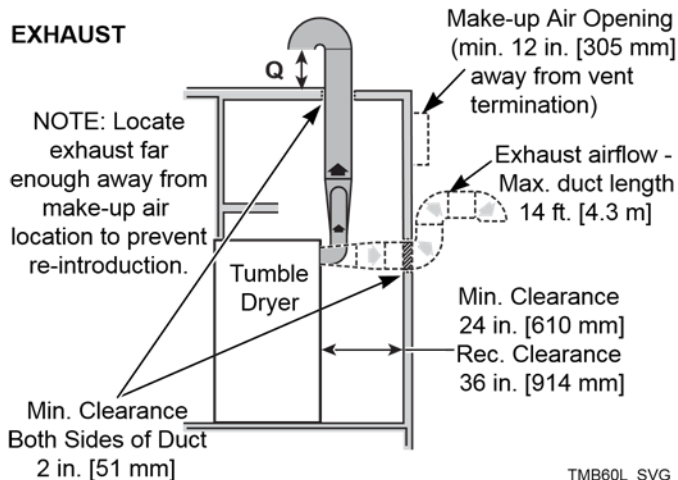


A	28.0 [710]	J	75.5 [1,920]
B	49.0 [1,245]	K	62.0 [1,575]
C	48.3 [1,225]	L	1.5 [40]
D	11.4 [290]	M	1.7 [45]
E	10.7 [270]	N	62.4 [1,585]
F	25.0 [635]	O	27.4 [695]
G	28.7 [730]	P	31.5 [800]
H	42.8 [1,090]	Q	36 [910]
I	76.3 [1,940]		
in. [mm]			



Specifications

Net Weight (approximate): Pounds [kg]	570 [260]	
Required Make-Up Air Opening (to the outside) for Each Tumble Dryer, in. ² [cm ²]	220 [1,420]	
Maximum Airflow: C.F.M. [l/sec]	800 [380]	
Maximum Static Back Pressure: Inch W.C. [mbar, kPa]	0.90 [2.2, 0.22]	
Gas Burner Rating (per pocket): BTU/hr. [kW, Mj/hr.]	73,000 [21.4, 77.0]	
Recommended Gas Pressure:	N. G.	6.5 in. w.c.
	L. P.	11 in. w.c.



Electrical Specifications

Voltage Code	Voltage	Cycle	Phase	Wire	Full Load Amps	Circuit Breaker	Wire Size AWG [mm ²]
B	100-120	50-60	1	L1, Neutral, and ground	16	20	12 [4]
X	200-240	50-60	1	L1, L2 and ground	9	15	14 [2.5]
			3	L1, L2, L3 and ground			
N	440-480	50-60	3	L1, L2, L3 and ground	6	15	14 [2.5]

WWW.ATHLETICLS.COM

1-800-327-4782

SALES@ATHLETICLS.COM

TMB60L_SVG