

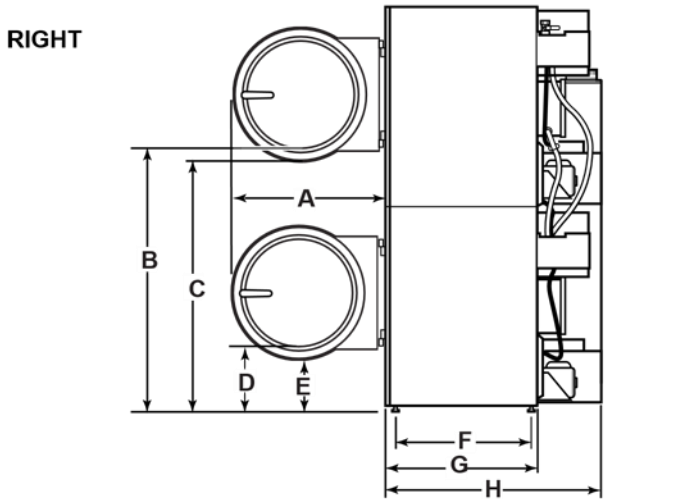
Machine Dimensions and Specifications

Model HTT45N 45lb. Capacity Stacked Athletic Drying Tumbler
Natural Gas or Propane Gas Heat Source

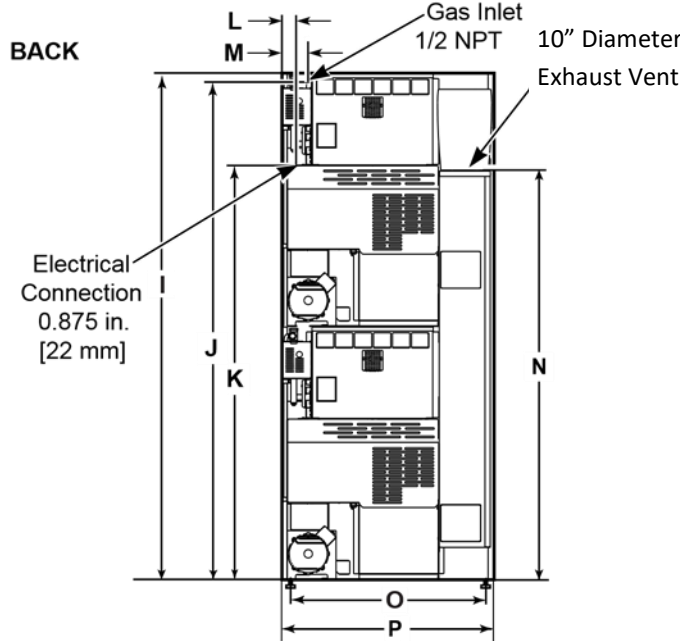


Equipment specifications are subject to change without notice.

Dimensions

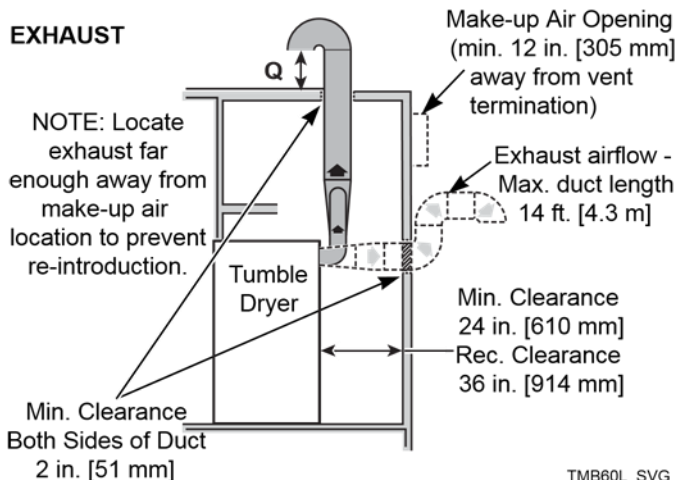


A	31.9 [810]	J	79.0 [2,005]
B	50.4 [1,280]	K	65.6 [1,665]
C	49.3 [1,250]	L	2.3 [60]
D	10.3 [260]	M	4.1 [105]
E	9.3 [235]	N	66.0 [1,675]
F	29.0 [735]	O	30.4 [770]
G	32.7 [830]	P	34.5 [875]
H	48.6 [1,235]	Q	36 [910]
I	81.3 [2,065]		
in. [mm]			



Specifications

Net Weight (approximate): Pounds [kg]	670 [300]	
Required Make-Up Air Opening (to the outside) for Each Tumble Dryer, in. ² [cm ²]	288 [1,860]	
Maximum Airflow: C.F.M. [l/sec]	1,200 [570]	
Maximum Static Back Pressure: Inch W.C. [mbar, kPa]	0.90 [2.2, 0.22]	
Gas Burner Rating (per pocket): BTU/hr. [kW, Mj/hr.]	95,000 [27.8, 100]	
Recommended Gas Pressure:	N. G.	6.5 in. w.c.
	L. P.	11 in. w.c.



Electrical Specifications

Voltage Code	Voltage	Cycle	Phase	Wire	Full Load Amps	Circuit Breaker	Wire Size AWG [mm ²]
X	200-240	50-60	1	L1, L2 and ground	12	15	14 [2.5]
			3	L1, L2, L3 and ground			
N	440-480	50-60	3	L1, L2, L3 and ground	6	15	14 [2.5]

WWW.ATHLETICLS.COM

1-800-327-4782

SALES@ATHLETICLS.COM